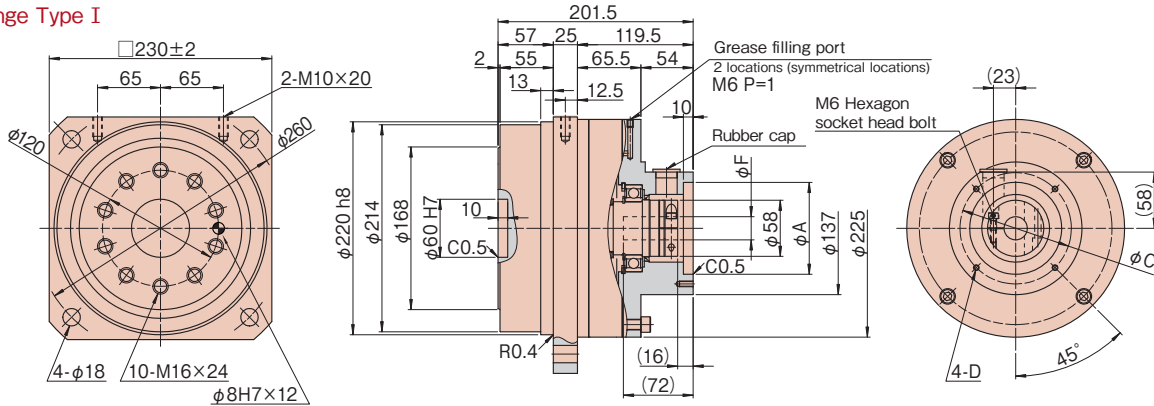


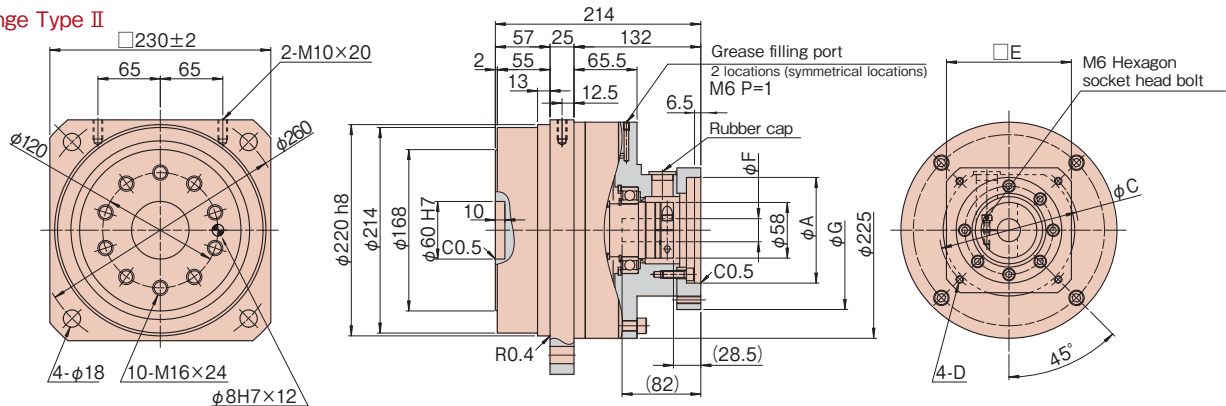
CSG-65-xx-GH

(Unit: mm)

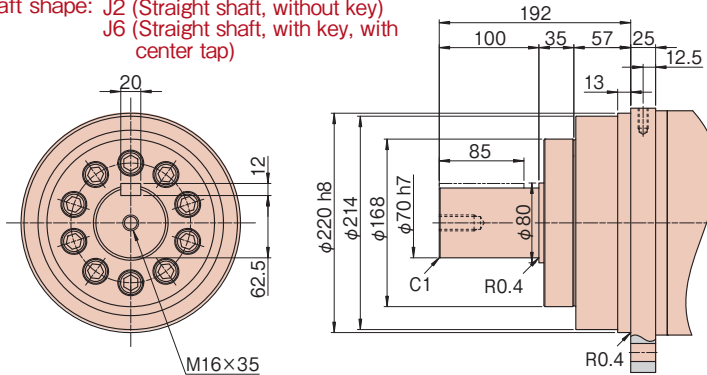
Flange Type I



Flange Type II



Output shaft shape: J2 (Straight shaft, without key)
J6 (Straight shaft, with key, with center tap)



(Note)

When using the output shaft type of the models 45 and 65 up to the "permissible peak torque for start and stop", the shaft shape must be "J2 type (straight shaft, no key)" due to the strength of the key surface pressure, and use of the abrasion type coupling joint is recommended.

Measurement Table

(Unit: mm) Table 049-1

Flange Type	Shape ^{*1} symbol	A (H7)	C	D	E	F (H7)		G	Mass (kg) ^{*2}		
						Min	Max		Shaft output	Flange output	
Flange Type I	UA□	95	115	M6×14	-	19	35	-	36.3	27.7	
	UB□			M8×20							
Flange Type II	UF□	110	145	M8×25	□130	19	35	165	36.4	27.8	
	UG□	114.3	200	M12×25				233	37.4	28.8	
	UH□	130	165	M10×25				□180	270	38.4	29.8
	UI□	200	235	M12×25				□220			

Dimensions of only typical products are shown. Please contact us for dimensions of products not listed above.

Check details of the dimensions and shape with the delivered specifications.

Contact us for information on special installation method.

*1: A symbol for input shaft coupling is supplied in "□" in shape symbols. See matching tables on pages 059 to 169.

*2: The mass varies slightly depending on the reduction ratio and on the inside diameter of input shaft coupling.

Notice:

All specifications and dimensions shown in the drawing are subject to change without notice. This drawing is the property of Harmonic Drive LLC. This data is believed to be accurate, however, Harmonic Drive LLC assumes no liability for any errors or omissions in the specifications, models or drawings.

Harmonic Drive LLC
Tel: 800-921-3332
www.harmonicdrive.net



Harmonic Drive LLC
Tel: 800-921-3332
www.harmonicdrive.net